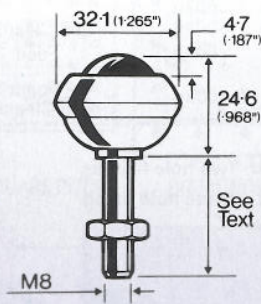


BOLT FIXING - STANDARD RANGE



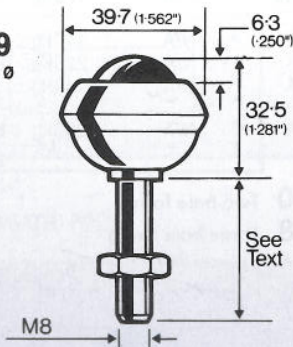
REF.	BALL SIZE	WEIGHT	TYPE 13 STEEL BEARINGS ZINC PLATED PRESSINGS		TYPE 14 NYLON MAIN BEARING ZINC PLATED PRESSINGS		TYPE 15 STAINLESS BEARINGS AND PRESSINGS		TYPE 16 STAINLESS BEARINGS ZINC PLATED PRESSINGS		SPECIAL FEATURES
			LOAD UP	LOADDOWN	LOAD UP	LOADDOWN	LOAD UP	LOADDOWN	LOAD UP	LOADDOWN	
3001	19mm (3/4")	60g	25kg	10kg	20kg	N/A	25kg	10kg	25kg	10kg	Plastic Foam Seal
3002	19mm (3/4")	80g	25kg	10kg	20kg	N/A	25kg	10kg	25kg	10kg	Plastic Foam Seal
1003	25mm (1")	160g	55kg	25kg	25kg	N/A	55kg	25kg	55kg	25kg	Plastic Foam Seal
1009	25mm (1")	140g	55kg	25kg	25kg	N/A	55kg	25kg	55kg	25kg	Plastic Foam Seal
1501	25mm (1")	180g	100kg	50kg	25kg	N/A	100kg	50kg	100kg	50kg	Moulded Scraper Seal
2001	40mm	400g	140kg	60kg	N/A	N/A	140kg	60kg	140kg	60kg	Plastic Foam Seal
2005	40mm (1 9/16")	460g	140kg	60kg	N/A	N/A	140kg	60kg	140kg	60kg	Plastic Foam Seal
4004	50mm (2")	1.72kg	340kg	100kg	N/A	N/A	340kg	100kg	340kg	100kg	Plastic Foam Seal

3001
19mm ø



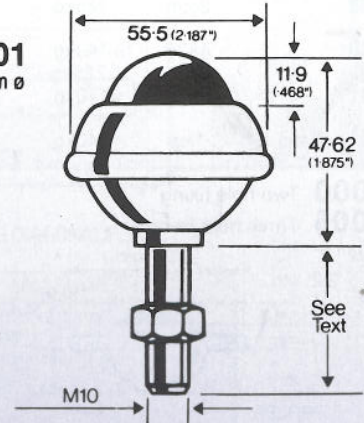
Extra nuts can be supplied.
Maximum tightening torque 15Nm. M8 screw.
Stock lengths 25, 30, 35, 40, 50mm (other fixings on request). Self cleaning hole extra.

1009
25mm ø



Extra nuts can be supplied.
Maximum tightening torque 15Nm.
M8 screw. Stock lengths 25, 30, 35, 40, 50mm (other fixings on request). Self cleaning hole extra.

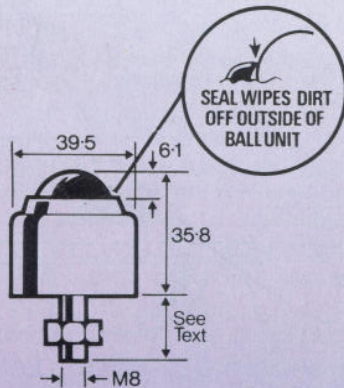
2001
40mm ø



Extra nuts can be supplied.
Maximum tightening torque 20Nm. M10 screw.
Standard lengths 25, 30, 40, 50mm (other fixings on request). Self cleaning hole extra.

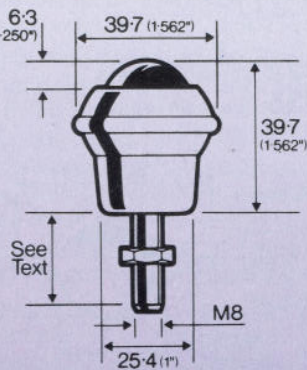
THESE UNITS CAN BE USED FOR HEIGHT ADJUSTMENT - ASK OUR ADVICE.

1501
25mm ø



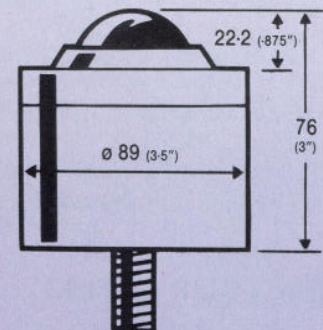
Maximum tightening torque 15Nm. For bolting to flat surfaces. M8 screw. Standard lengths 18, 23, 28mm.

1003
25mm ø



Maximum tightening torque 15Nm. M8 screw lengths 18, 23, 28, 33, 43mm. Self cleaning hole extra.

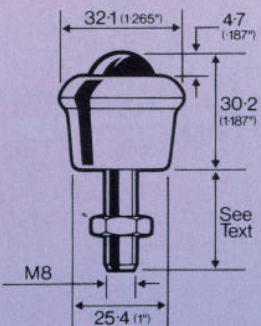
4004
50mm ø



Maximum tightening torque 25Nm. Self cleaning hole standard. Grease points can be fitted. 5/8" whit or M16 thread available up to 75mm long.

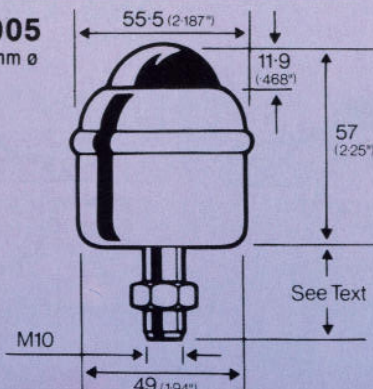
NOTE: Other screw sizes or plain shanks can be supplied on request.
Can be dismantled for cleaning.

3002
19mm ø



Maximum tightening torque 15Nm. M8 thread lengths 20, 25, 30, 35, 45mm (other fixings on request). Self cleaning hole extra.

2005
40mm ø



Maximum tightening torque 20Nm. For bolting to flat plate, angle iron or slotted angle etc. M10 screw. Standard lengths 22, 32, 42mm.